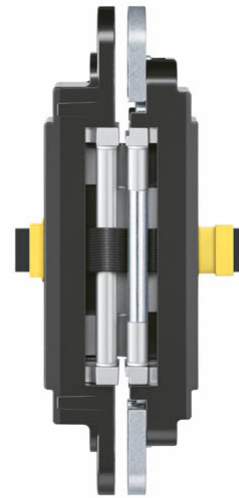


TE 640 3D Energy

with permanent energy transfer for unrebated high performance heavy-duty doors



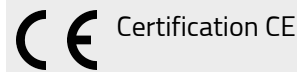
Product features

- with permanent energy transfer
- individual connection adapter options
- completely concealed hinge system
- for timber, steel or aluminium frames
- for unrebated high performance heavy-duty doors
- with comfortable 3D adjustment (side +/- 3,0 mm, height +/- 3,0 mm, compression +/- 1,0 mm)
- maintenance-free slide bearings

Technical details

Attributes	Value
Load capacity	200,0 kg
Overall length	240,0 mm
Width (door part)	32,0 mm
Width (frame part)	32,0 mm
Cutter diameter	24,0 mm
Opening angle	180°
Wire cross section	0,14 mm ²
Max. voltage	50 V
No. of wires	16

Quality marks



Certification CE



Certification IFT

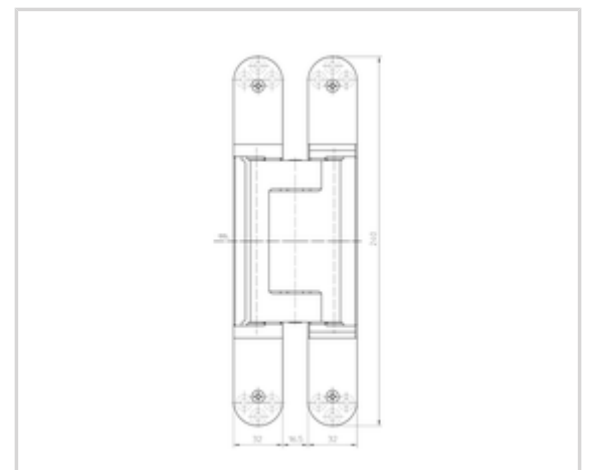


Certification UL

Classification key

4 7 6 1 1 *₆ 1 14

⁶ depending on the finish



TECTUS - TE 640 3D Energy

Max. current	0,8 A
--------------	-------

Note

The load capacity mentioned above refers to the use of 2 hinges per door leaf (1 x 2 m), for detailed information please look at the chapter "technical information".

Test evidence for functional doors to be achieved with full door sets.

When ordering the accessories please consider: There are two connection adapters TECTUS Energy needed per hinge. A connection plan can be downloaded.

With an opening position of 180° the door may have to be fixed additionally.

Suitable for

Universal milling frame

Template 5 250659 5

Template 5 250689 5

Template 5 250939 5

step 1

step 2

additional routing Energy

Combinations

TE 640 3D FZ

TE 640 3D SZ

TE 640 3D ST

Adapter 1 TECTUS Energy

Universal adapter TECTUS Energy

Round cable 3m TECTUS Energy

Round cable 10m TECTUS Energy

Function range



burglar resistance



fire resistance

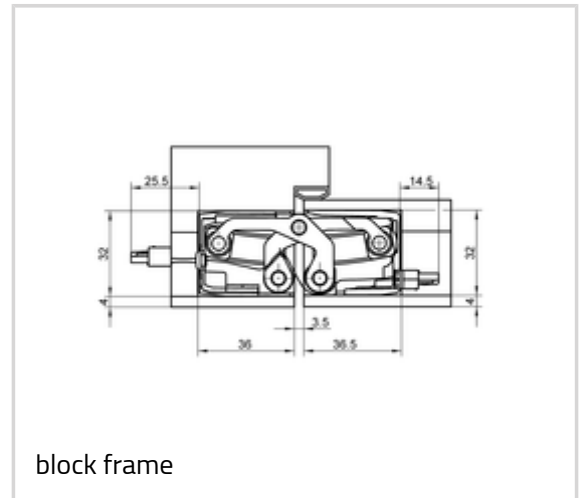


smoke resistance

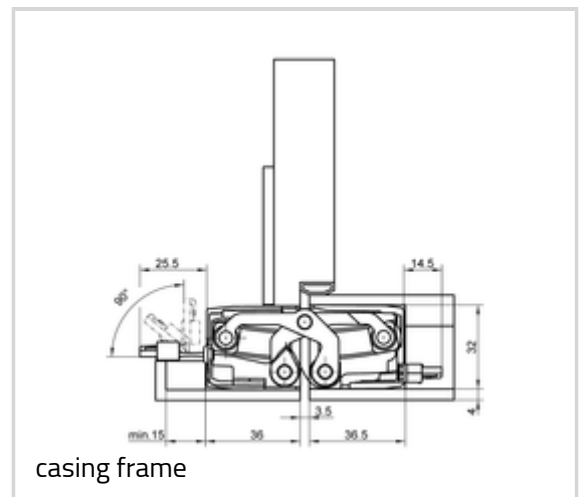


soundproof

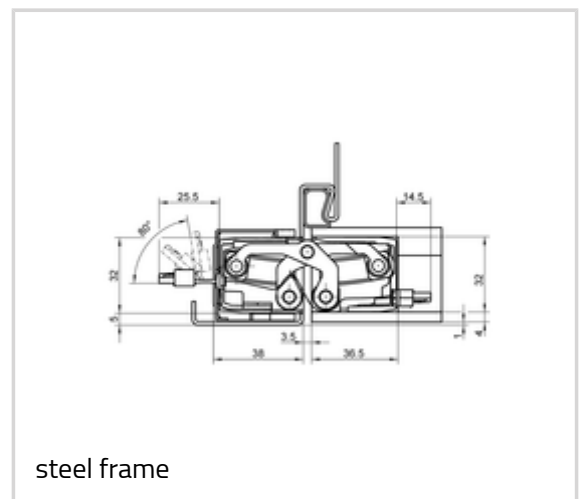
front view



block frame



casing frame



steel frame

TECTUS - TE 640 3D Energy

Item

Finish(es)	124-Satin Chrome Look (F1)
OF-NR.	124
VPE	pack of 1
DIN	DIN right and left hand
Item No.	5 400706 0 12401
EAN	4015471128760
Finish(es)	126-Stainless Steel Look (SSL)
OF-NR.	126
VPE	pack of 1
DIN	DIN right and left hand
Item No.	5 400706 0 12601
EAN	4015471128777