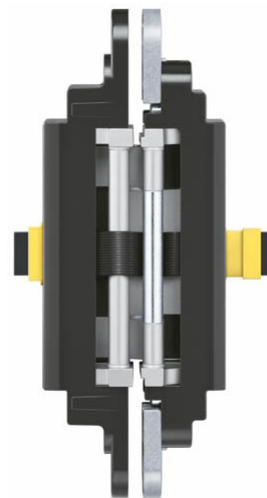


## TE 640 3D A8 Energy

with permanent energy transfer for unrebated high performance heavy-duty doors with claddings of up to 8 mm on both sides



### Product features

- with permanent energy transfer
- individual connection adapter options
- cladding up to 8 mm
- completely concealed hinge system
- for timber, steel or aluminium frames
- for unrebated heavy-duty doors
- with comfortable 3D adjustment (side +/- 3,0 mm, height +/- 3,0 mm, compression +/- 1,0 mm)
- maintenance-free slide bearings

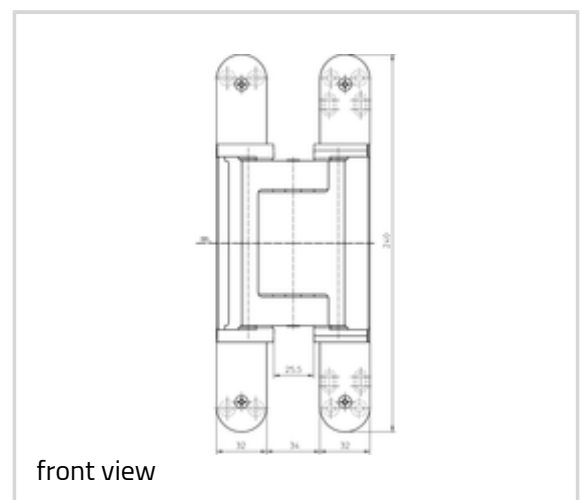
### Technical details

Attributes	Value
Load capacity	160,0 kg
Overall length	240,0 mm
Width (door part)	32,0/37,0 mm
Width (frame part)	32,0/37,0 mm
Cutter diameter	24,0 mm
Opening angle	180°
Wire cross section	0,14 mm <sup>2</sup>
Max. voltage	50 V

### Quality marks



Certification UL



## TECTUS - TE 640 3D A8 Energy

No. of wires	16
Max. current	0,8 A

### Note

The load capacity mentioned above refers to the use of 2 hinges per door leaf (1 x 2 m), for detailed information please look at the chapter "technical information".

Test evidence for functional doors to be achieved with full door sets.

When ordering the accessories please consider: There are two connection adapters TECTUS Energy needed per hinge. A connection plan can be downloaded.

With an opening position of 180° the door may have to be fixed additionally.

### Suitable for

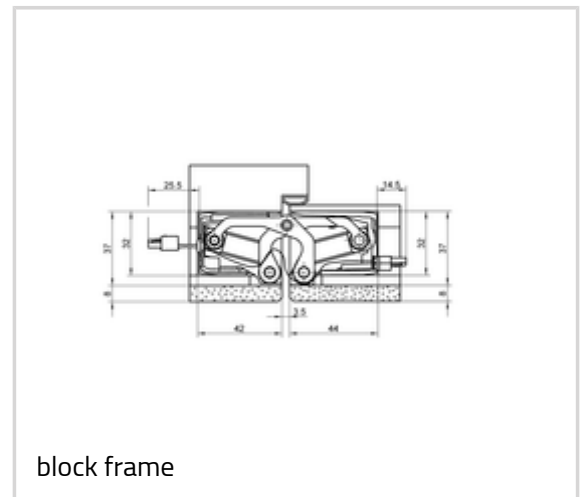
Universal milling frame

Template 5 250659 5	step 1
Template 5 250688 5	step 3 (without cladding)
Template 5 250689 5	step 2
Template 5 250690 5	step 3
Template 5 250939 5	additional routing Energy

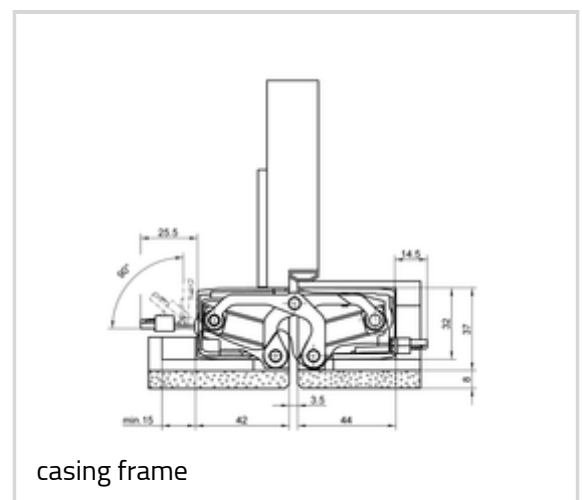
### Combinations

TE 640 3D FZ  
 TE 640 3D A8 SZ  
 TE 640 3D ST  
 Cover plate set TECTUS A8 radius  
 Adapter 1 TECTUS Energy  
 Universal adapter TECTUS Energy  
 Round cable 3m TECTUS Energy  
 Round cable 10m TECTUS Energy

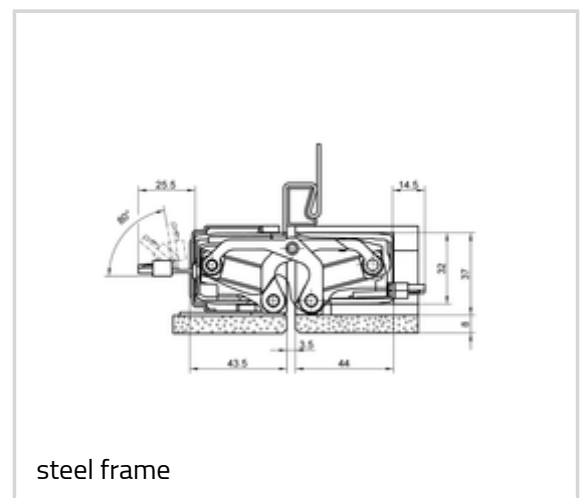
### Function range



block frame



casing frame



steel frame

## TECTUS - TE 640 3D A8 Energy

burglar resistance

fire resistance

smoke resistance



soundproof

### Item

Finish(es)	124-Satin Chrome Look (F1)
OF-NR.	124
VPE	pack of 1
DIN	DIN right and left hand
Item No.	5 400707 0 12401
EAN	4015471128852
Finish(es)	126-Stainless Steel Look (SSL)
OF-NR.	126
VPE	pack of 1
DIN	DIN right and left hand
Item No.	5 400707 0 12601
EAN	4015471128883