

# MULTI 3D VN 3041

for flush aluminium and steel doors



## Product features

- for flush aluminium and steel doors
- continuous 3D adjustment (side +/- 3,0 mm, height +/- 4,0 mm, compression +/- 3,0 mm)

## Technical details

Attributes	Value
Load capacity	100,0 kg
Knuckle length	100,0 mm
Knuckle diameter	20,0 mm
Pin diameter	10,0 mm

## Note

The load capacity mentioned above refers to the use of 2 hinges per door leaf (1 x 2 m), for detailed information please look at the chapter "technical information".

Also available with security pin (MSTS).

## Suitable for

## Quality marks

Certification CE

Certification IFT

## Classification key

4	7	5	1 <sup>*1</sup>	1	— <sup>*2</sup>	1	12
---	---	---	-----------------	---	-----------------	---	----

\*1 Test evidence for functional doors to be achieved with full door sets and assemblies.

\*2 depending on the finish

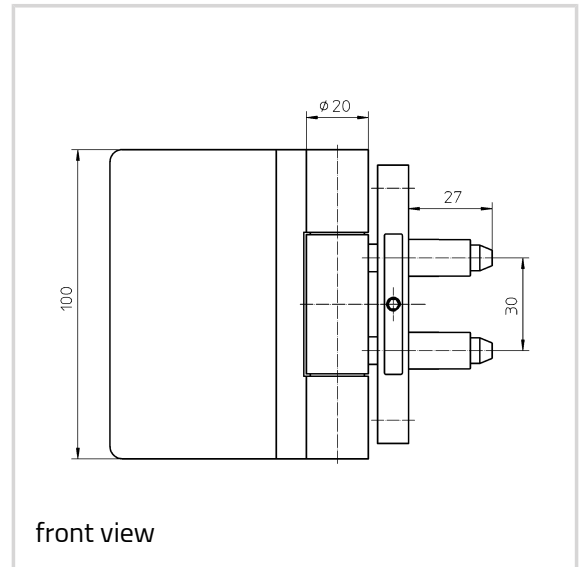
## VARIANT VN - MULTI 3D VN 3041

Drilling jig VARIANT MULTI 3D  
VN 3041

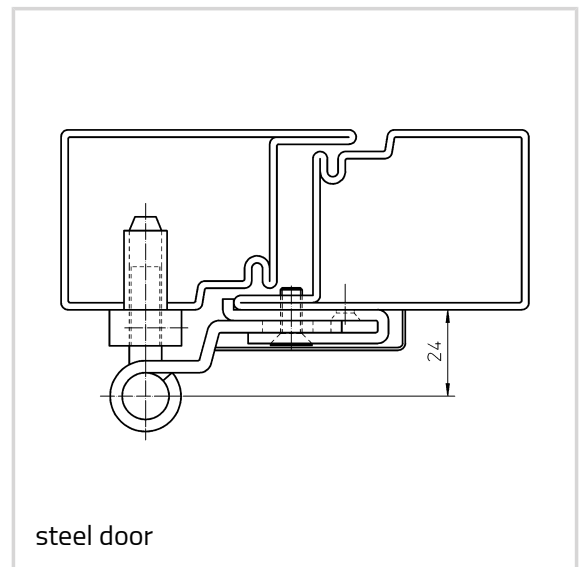
### Item

Finish(es)	dull nickelled (017)
OF-NR.	017
VPE	pack of 2
DIN	DIN right and left hand
Item No.	5 030805 0 01702
EAN	4015471015022

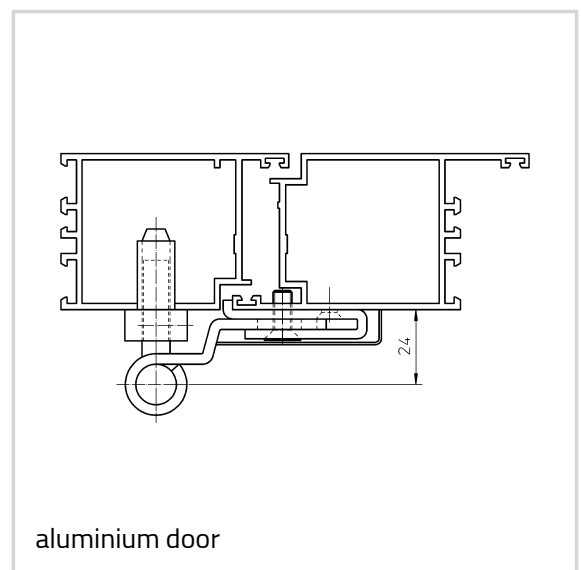
Finish(es)	Satin Stainless Steel (040)
OF-NR.	040
VPE	pack of 2
DIN	DIN right and left hand
Item No.	5 030805 0 04002
EAN	4015471015053



front view



steel door



aluminium door